

KNX智能屏S4技术规格书

适用型号

CHTF-4.0/80.1.2x (KNX款)

CHTI-4.0/80.1.2x (标准款)

CHTIV-4.0/80.1.2x (语音款)

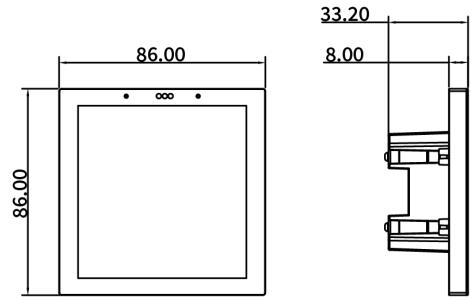
产品功能

- 4英寸IPS屏幕，分辨率480*480，支持多点触控
- 双麦克风矩阵，独立全频段扬声器
- 具备RJ45网络接口，支持标准POE供电，具备WiFi与蓝牙功能
- 80个设备通道和场景通道，支持基本控制功能，包含开关、调光、窗帘、值发送、色温、颜色控制(RGB、RGBW、RGBCW)、背景音乐、温控功能、空调控制、新风系统控制、并支持空气质量传感器检测值显示和能源检测值显示等
- 支持KNX网关功能，通过视声智家APP实现APP远程控制功能
- 8个定时功能、8个场景组功能、8个逻辑功能
- 内置温湿度传感器、靠近感应传感器、亮度传感器，人本照明控制(HCL)
- 集成SIP对讲和云对讲，支持语音留言功能、呼叫转移功能
- 支持安防监控和监控记录，可接入IP CAM
- 支持OTA升级，支持KNX安全协议

★上述功能及配置因型号不同而存在差异，详情请扫描下方二维码“交互说明”获取

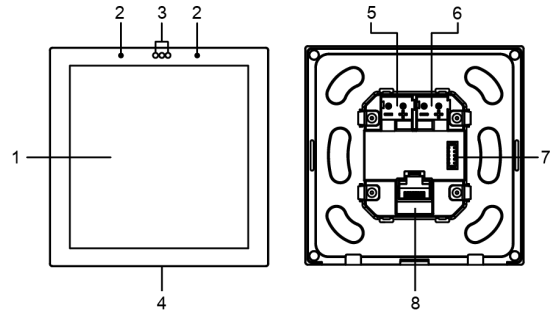
技术参数

总线电源	总线电压	21-30V DC，由KNX总线提供
	总线电流	≤6.5mA/21V，≤6.4mA/30V
	总线功耗	≤0.1W
辅助电源	电压	21-30V DC
	电流	≤85mA/24V，≤75mA/30V
	功耗	≤2.3W
接线端口	KNX	总线连接端子（红/黑）
	辅助电源	总线连接端子（黄/白）
	LAN	RJ45端口 支持标准POE供电
	防区接口	4路干节点
无线功率	Bluetooth	
	2402-2480MHz	6dBm
	WiFi	
	2412-2472MHz	18dBm
	5150-5350MHz	15dBm
5470-5725MHz	15dBm	
5745-5850MHz	13dBm	
温度范围	运行	-5°C~45°C
	存储	-25°C~55°C
	运输	-25°C~70°C
感应器	人体感应器	普通模式：30CM 增强模式：60CM
	温度感应器	-40°C~80°C
	湿度感应器	0~100%
环境条件	湿度	<95%，结露除外
安装方式		单86国标底盒或单60欧标底盒



整机尺寸 86x86x33.2mm
面板厚度 8mm

外观介绍



1.显示区域
2.麦克风
3.光照与人体传感器
4.喇叭
5.KNX总线端子
6.辅助供电端子
7.防区接口
8.网口

安装说明

KNX智能屏S4，安装在单86国标底和单60欧标底盒中，它不仅需要 KNX 总线供电，而且还需要一个21-30V DC的辅助电源供电。参数的设置和物理地址的分配可以使用带有.knxprod 文件的工程设计工具软件 ETS（版本 ETS 5.7或以上）。安装时必须确保辅助供电和总线连接正常、设备工作正常。

建议触摸面板安装距地面大约 120~140cm 高度的位置和距门框水平距离 15~20cm 的位置。触摸面板不允许安装在与液体直接接触的地方。

重要提示

安装和调试设备只能由合格的熟练电工来操作。在计划与实施电气安装的过程中相关的标准、指令、规则和指示都要严格执行。

- 需要避免器件在运输、储存、使用的过程中受潮、脏污以及受损。
- 不要使器件运行在指定的技术指标之外（例如温度范围）。
- 当设备脏污时，只可以使用干燥的布来清洁。如果这样不足以清洁干净，可以使用湿布蘸少许肥皂溶液轻轻擦拭。绝不能使用碱剂或者腐蚀性溶剂。
- 该设备应与您的身体保持至少 20 厘米的距离进行安装和操作。
- 该设备的 5150 至 5350 兆赫兹（MHz）频段在下列国家仅限室内使用 AT,BE,BG,CH,CY,CZ,DE,DK,EE,EL,ES,FI,FR,HR,HU,IE,IS,IT,LI,LT,LU,LV,MT,NL,NO,PL,PT,RO,SE,SI,SK,TR,UK(NI)。

合规性说明

特此，广州视声智能科技有限公司声明，KNX 智能触控屏 S4型无线电设备符合 2014/54/EU 号指令要求。符合性声明全文可通过以下互联网地址获取：<https://www.gvssmart.cn/>



交互说明



使用手册

Technical Data Sheet

KNX Smart Touch S4

CHTI-4.0/80.1.2x (KNX Version)
 CHTIV-4.0/80.1.2x (Standard Version)
 CHTF-4.0/80.1.2x (Intelligent Version)

Product Features

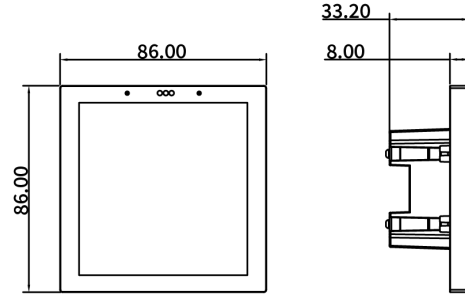
- 4 inch IPS screen,with high resolution 480*480,support multi-touch
- Dual-microphone matrix, independent speakers
- Supports WiFi, Bluetooth, and Ethernet
- 80 KNX channels,with basic control functions including switch, dimming,blinds, valve sender, color temperature, color control (RGB,RGBW,RGBCW), audiocontrol, room temperature control, Air conditioner, Ventilation System control, Air quality and Energy Metering display,etc.
- Support KNX gateway function, realize App remote control function
- 8 Schedules, 8 Scene Group functions, 8 Logic functions
- Human Centric Lighting(HCL) available
- Day/Night signal and summer time automatic adjustment
- Panel locking and Screensaver
- Built-in temperature and humidity sensor, proximity sensor, brightness sensor
- Integrate with SIP intercom and cloud intercom
- Security monitoring and surveillance recording with access to IP CAM
- Voice message function and call transfer function
- Setting defense zone setup for arm and disarm functions
- OTA upgrade available
- Support the KNX Data Secure

★The above functions and configurations may vary depending on the model and version. For detailed information, please scan the "Use Instructions" below.

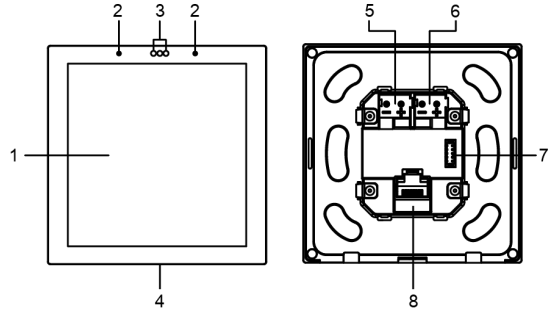
Parameters

Power Supply	Bus voltage	21-30V DC, via the KNX bus
	Bus current	≤6.5mA/24V, ≤6.4mA/30V
	Bus consumption	≤0.1W
Auxiliary Supply	Voltage	21-30V
	Current	≤85mA/24V, ≤75mA/30V
	Consumption	≤2.3W
Port	KNX	Bus connection terminal (Red/Black)
	Auxiliary Supply	Bus connection terminal (Yellow/White)
	LAN	RJ45 terminal Supports standard PoE power supply
	Zone Interface	4-channel dry contact inputs
Radio Interfaces	Bluetooth	
	2402-2480MHz	6dBm
	WiFi	
	2412-2472MHz	18dBm
	5150-5350MHz	15dBm
	5470-5725MHz	15dBm
	5745-5850MHz	13dBm
Temperature	Operation	-5°C~45°C
	Storage	-25°C~55°C
	Transport	-25°C~70°C
Sensor	Proximity	Normal:30CM Enhanced:60CM
	Temperature	-40°C~80°C
	Humidity	0~100°C
Environment	Humidity	<95%, except dewing
Installation		Single 86 Box or Single European 60 Box

Dimensions



Descriptions



- | | |
|---|---------------------|
| 1.Touch and display area | 5..KNX bus terminal |
| 2.Microphone | 6.Auxiliary supply |
| 3..Proximity sensor and brightness sensor | 7.Zone Interface |
| 4.Speaker | 8.Ethernet port |

Installation Guide

KNX Smart Touch S4 can be installed in a single 86 box or single European 60 box. It requires not only KNX bus powered, but also requires a 21-30V DC auxiliary power supply. It is available to assign the physical address by engineering design tools ETS with .knxprod (higher than edition ETS 5.7). Must ensure that the device operation, testing, detecting, maintenance correctly.

It is recommended that the touch panel be installed at a height of approximately 120~140cm from the floor and at a horizontal distance of 15~20cm from the door frame. It is not permitted to install the touch panel in a place where it is in direct contact with liquids.

Important Notice

Installation and commissioning of the device may only be carried out by trained electricians. The relevant standards, directives, regulations and instructions must be observed when planning and implementing the electrical installation.

- Protect the device against moisture, dirt and damage during transport, storage and operation!
- Do not operate the device outside the specified technical data (e.g. temperature range)!
- Should the device become soiled, it may be cleaned with a dry cloth. If this does not suffice, a cloth lightly moistened with soap solution may be used. On no account should caustic agents or solvents be used.
- The device should be installed and operated with a minimum distance of 20 cm between the device and your body
- The 5150 to 5350 MHz frequency range is restricted to indoor use only:
 AT,BE,BG,CH,CY,CZ,DE,DK,EE,EL,ES,FI,FR,HR,HU,IE,IS,IT,LI,LT,LU,LV,MT,NL,NO,PL,PT,RO,SE,SI,SK,TR,UK(NI)。

Declaration of Conformity

Hereby, GVS SMART CO., LTD. declare that the radio equipment type KNX Smart Touch S4 is in compliance with Directive 2014/54/EU. The full text of the EU declaration of conformity is available at the following Internet address:<https://www.gvssmart.com/>



User Interaction



User Manual